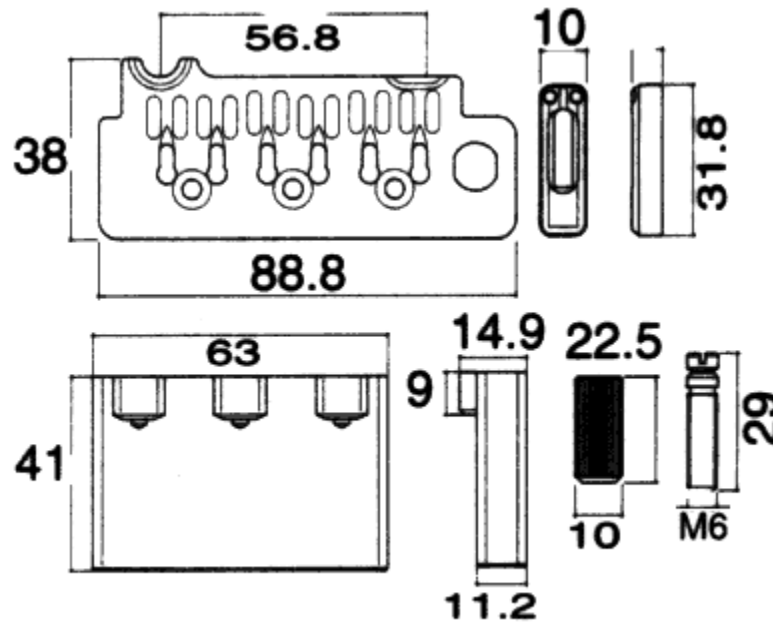


Gotoh Wilkinson Tremolo Diagram

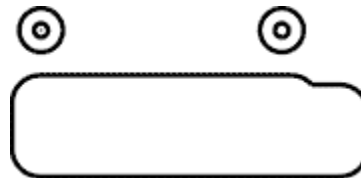
This bridge is very popular with players who are burned out on locking tremolos. When used in conjunction with the LSR roller nut or a graphite nut and locking tuners, Wilkinsons stay in tune! This bridge features stainless steel saddles, arm, and studs. It has an easy detachable arm with a nylon adjustment collar for very smooth operation. This bridge has a string spread of 2-1/8" (54mm). All the plating features a satin finish.

This is the ultimate in self-alignment. The left stud locates the bridge in its half circle detent. The other stud may rest anywhere in the right pivot area. The mounting studs come with steel bushings that are pressed into the body. This is an excellent bridge design.

If you provide the studs or buy the bridge from us, stud installation is just \$10.00



Dimensions are in Millimeters



Wilkinson Bridge Rout