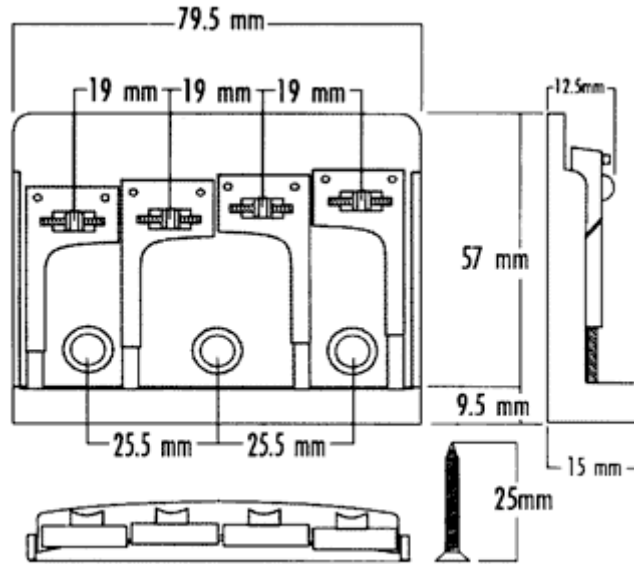


Schaller 463 - 4 string Bass Bridge Diagram

This bridge features unique adjustable rollers that allow string pitch from 2-3/32" to 2-15/32" (53mm to 63mm), (17.5mm-21mm string pitch). Each saddle is also adjustable for string height and intonation.



Dimensions in Millimeters