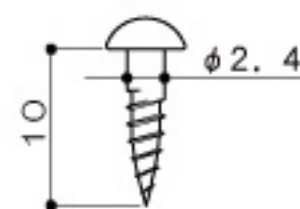
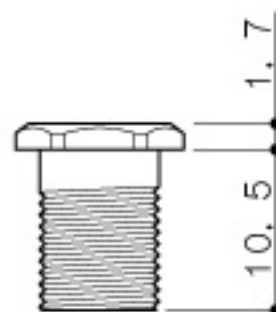
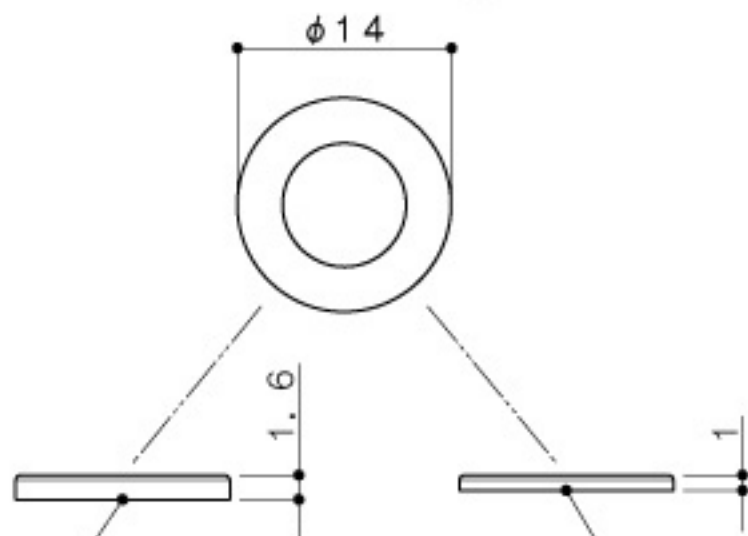
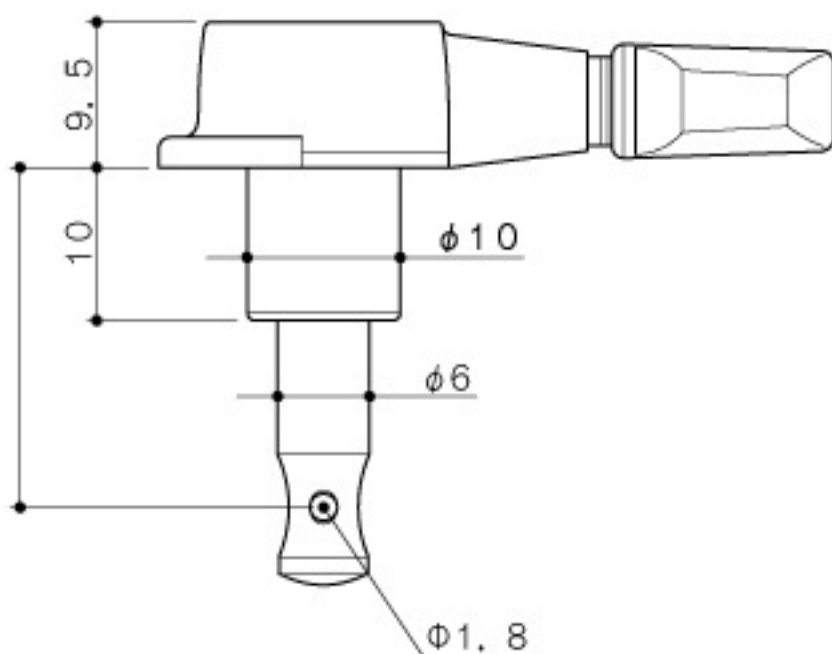
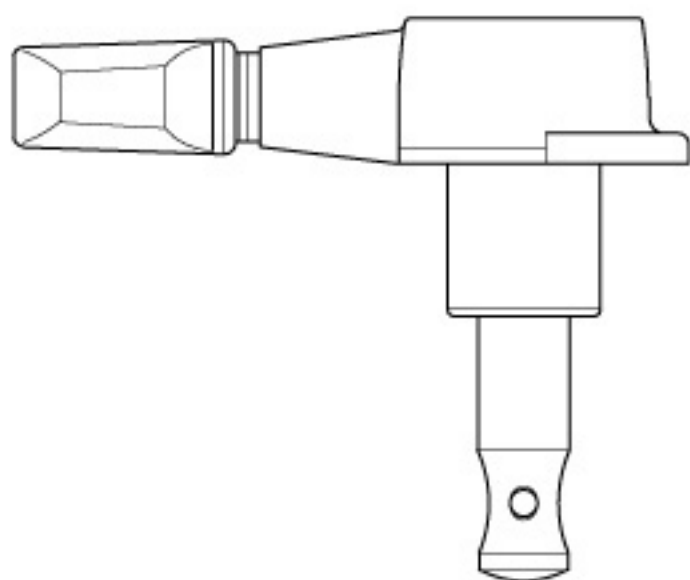
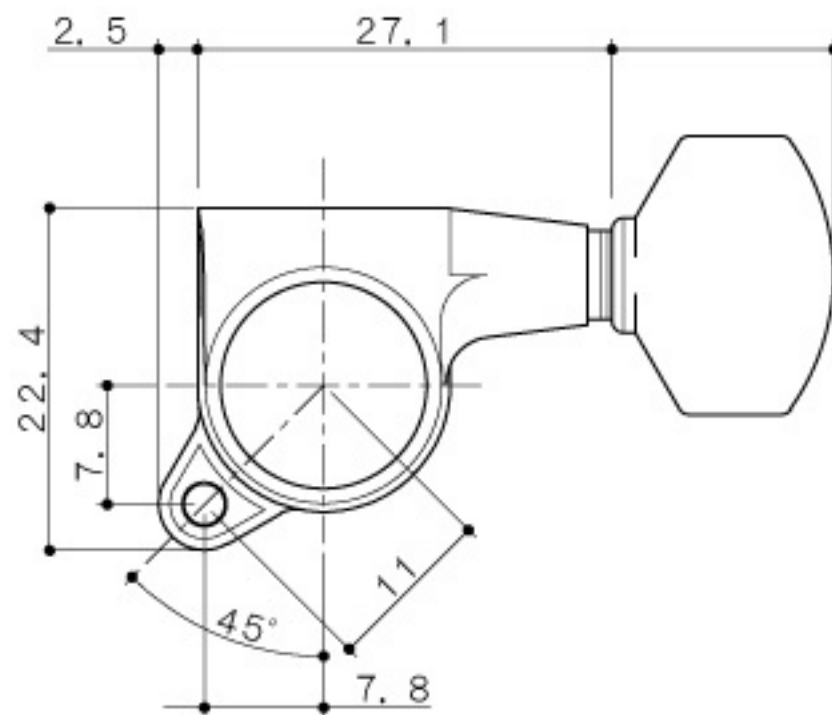
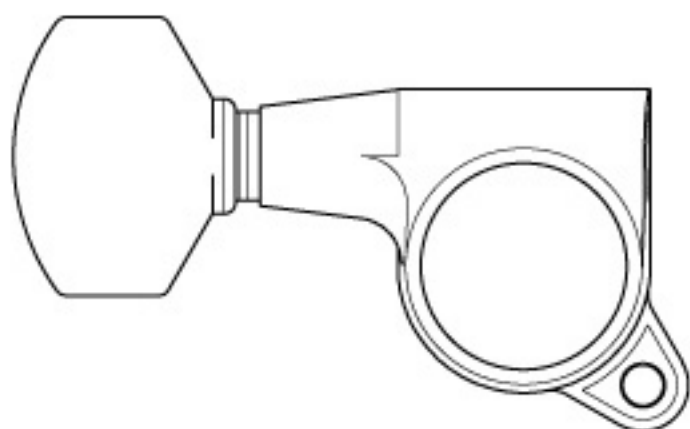


SG381



STANDARD/MG

HAP/HAPA/HAPM